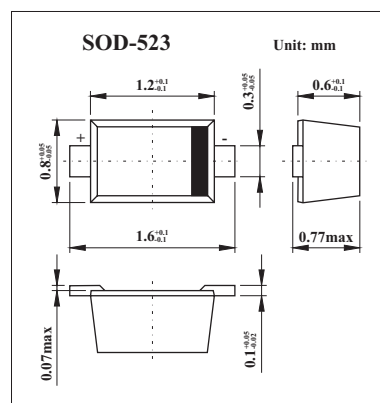


## VHF TNUER BAND SWITCH APPLICATIONS

## 1SV308

## ■ Features

- Low Series Resistance:  $r_s = 1.1 \Omega$  (Typ.)
- Small Total Capacitance:  $C_T = 0.3\text{pF}$  (Typ.)

■ Absolute Maximum Ratings  $T_a = 25^\circ\text{C}$ 

Parameter	Symbol	Limits	Unit
Reverse voltage	$V_R$	35	V
Forward current	$I_F$	100	mA
Junction temperature	$T_j$	125	$^\circ\text{C}$
Storage temperature range	$T_{stg}$	-55 to +125	$^\circ\text{C}$

■ Electrical Characteristics  $T_a = 25^\circ\text{C}$ 

Parameter	Symbol	Conditions	Min	Typ	Max	Unit
Reverse voltage	$V_R$	$I_R = 10 \mu\text{A}$	30			V
Reverse current	$I_R$	$V_R = 30\text{V}$			0.1	$\mu\text{A}$
Forward voltage	$V_F$	$I_F = 50\text{mA}$		0.95	1.0	V
Total capacitance	$C_T$	$V_R = 1\text{V}, f = 1\text{MHz}$		0.3	0.5	pF
Series resistance	$r_s$	$I_F = 10\text{mA}, f = 1.5\text{GHz}$		1.1		$\Omega$

## ■ Marking

Marking	TX
---------	----